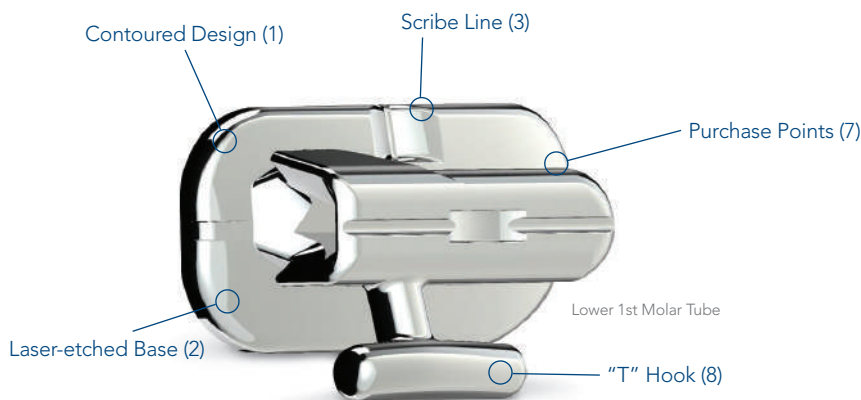
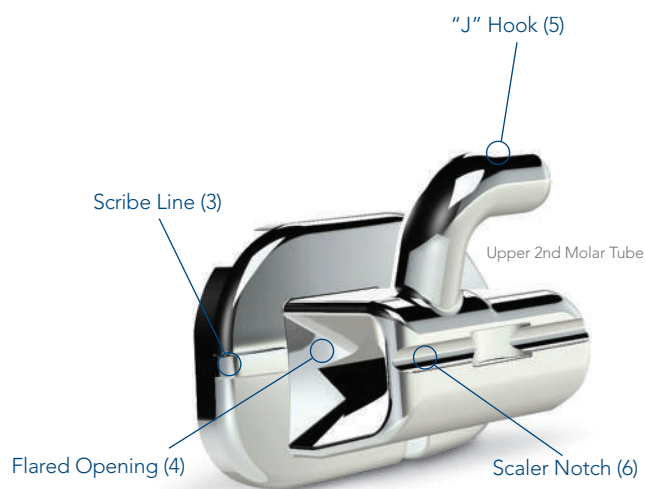


ACCENT[®]mini

Accent Mini is an affordable, low-profile buccal tube that is easy to place and fits securely on first and second molars while providing outstanding patient comfort. With enhanced features such as a bendable “J” hook, flared mesial slot opening and distal extension, Accent Mini helps doctors provide better clinical management while using their preferred treatment mechanics.

1. Contoured, low profile design for a precision fit with less occlusal interference and greater patient comfort
2. Single-piece with patented laser-etched base for optimal bond strength and reliability
3. Scribe line for accurate bracket placement and precision finishing
4. Flared mesial slot opening for easy wire changes
5. Bendable “J” hook for greater elastic retention and patient comfort
6. Scaler notch along the M-D length for easy adhesive loading and angulation adjustments
7. Purchase point for easier holding with tweezers or bracket holders
8. “T” hook on lower first molar for elastic retention and patient comfort
9. Available in Damon® System and MBT® prescriptions



See reverse for more details

* MBT prescription does not imply endorsement by Drs. McLaughlin, Bennett and Trevisi.

ACCENT[®]mini[™]

Damon [®] Rx	Torque	Angulation	Distal Offset	Part Numbers	
Upper				.022L	.022R
First Molar	-18	0	12	513-0163	513-0162
Second Molar	-27	0	+6	513-0171	513-0170
Lower				.022L	.022R
First Molar	-28	2	2	513-0165	513-0164
Second Molar	-10	0	+5	513-0173	513-0172



Lower 2nd Molar Tube

MBT Rx	Torque	Angulation	Distal Offset	Part Numbers			
Upper				.018L	.018R	.022L	.022R
First Molar	-14	0	10	340-1365	340-1364	342-1365	342-1364
Second Molar	-14	0	10	340-1375	340-1374	342-1375	342-1374
Lower				.018L	.018R	.022L	.022R
First Molar	-20	0	0	340-1367	340-1366	342-1367	342-1366
Second Molar	-10	0	5	340-1377	340-1376	342-1377	342-1376

Contact your Ormco sales representative to order.

United States and Canada

ormco.com

Call: 800.854.1741 or 714.516.7400

Latin America

Ormco América Latina

ormcoamericalatina.com

Call: +52 (55) 5280 7851

Ormco de México

ormco.com.mx

Call: +52 (55) 5280 7851

Asia and the Middle East

ormco.com/index/ormco-company

for your local Ormco Distributor

Australia and New Zealand

ormco.com

Australia – Call: 1800 023 603

New Zealand – Call: 0800 446 140

Europe

ormcoeurope.com

Call: 00800 3032 3032



Upper 1st Molar Tube

Ormco[™]

Ormco Corporation
1717 West Collins Avenue
Orange, CA 92867

ormco.com